

XRC 65-45

X-RAY CONTROL SYSTEM

PARCELS AND LUGGAGE



Professional multi-energy X-ray system for the control of **packages** and **parcels** and **baggage** of medium-small size in general; allows the identification of **organic and inorganic materials**, including **explosives** and **drugs** and the identification of **weapons**, **trigger devices** and dangerous objects that can create security risks.

The nature of the materials that make up the scanned objects is represented by a predetermined color code:

organic materials in orange, **metallic materials in blue**, **inorganic materials in green** and **non-penetrable materials in black**.

The representation of the baggage is **without shadow areas**, and it is possible to automatically signal in real time (with a moving belt) the presence of **dangerous objects** (guns, knives, hacksaws, etc.) with a settable threshold.

PHYSICAL PROPERTIES

| | |
|-------------------------|------------------------------|
| Tunnel Dimensions: | 65 x 46 cm. (WxH) |
| Overall Size: | 205 x 89.5 x 130 cm. (WxLxH) |
| Total Weight: | 525 kg. |
| Conveyor Height: | 72 cm. |
| Conveyor Load Capacity: | 165 kg. Evenly Distributed |
| Conveyor Speed: | 0,20 mt/sec. |
| System Power: | 230VAC +/- 10% / 60-50 Hz |

STANDARD FEATURES

Programmable Function Keys
Parcel Counter
Date and Time Display
Virtual Threat Image Projection (TIP)
Organic/Inorganic Threat Alarm
Operator Training Program (OTP)
Self Diagnosis
Generator Timer
Automatic Stop Conveyor

MAIN FIELDS OF APPLICATION

XRC 60-40DV is ideal for checking packages, parcels and small baggage no larger than cm. 61x42, in risk areas including:

- Palaces of Justice
- Penitentiary institutes
- Embassies and border crossings
- Government Offices
- Airports and embarkations in general

XRC 65-45

X-RAY CONTROL SYSTEM

PARCELS AND LUGGAGE

X-RAY GENERATOR & IMAGE PERFORMANCE

| | |
|--------------------|-----------------------------------|
| Steel Penetration: | 37 mm guaranteed; 39 mm typical |
| Wire Resolution: | 38 AWG guaranteed; 40 AWG typical |
| Anode Voltage: | 170kV, operating at 160kV |
| Tube Current: | 1,0 mA |
| Beam Direction: | Vertically upward |
| Cooling: | Oil and forced air cooling |

COMPUTER SPECIFICATIONS

| | |
|-------------------|-----------------------------|
| Processor: | Intel Core i5 (or superior) |
| Monitor: | color 24" LED |
| Memory: | 4GB RAM min. |
| Video Card: | 2GB min. |
| Hard Drive: | 1TB min. |
| USB Port: | 6 ports min. |
| Operating System: | Linux |

OPERATING ENVIRONMENT

| | |
|------------------------|--------------------------|
| Operating Temperature: | -20° > 50° C |
| Storage Temperature: | -20° > 50° C |
| Relative Umidity: | 10% > 90% non condensing |

OPTIONAL ACCESSORIES

- External UPS (For system)
- Operator Console (Open-Closed/Adjustable/I-stand)
- 21,5" - 27" Flat Monitor
- Input / Output Rollers
- Test Kit (STP/ASTM)
- Protective Cover
- Search Table
- Tray Return System (Motorized/Gravity)
- Inclined Conveyor
- Ultrasonic Rat Repellent
- Radiation Meter

HEALTH AND SAFETY

HEALTH AND SAFETY

All SecurSCAN X-Ray products meet all applicable international health and safety regulations.

US FDA Federal Standard 21CFR 1020.40

Health and Safety at Work Act 1974-compliant 6: Available

Film Safety: ISO 1600 / 33 DIN

CE Compliance: Certified

FCC & IEC Compatibility: Available

IP 20 Safety: Certified

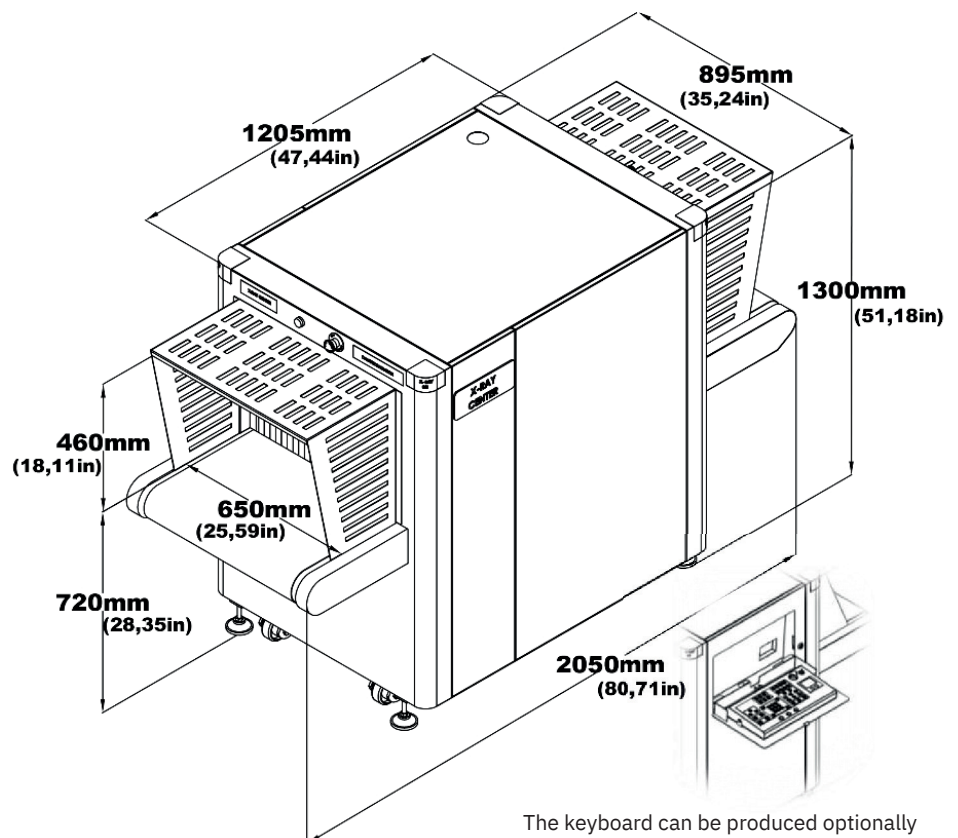
Maximum level of radiation the exterior panels come in contact with is 0.1 mR/hour

STANDARD IMAGE PROCESSING FEATURES

- Perfect View (Detail Enhancement) (PV)
- Edge Enhancement (EE)
- Pseudo Color (PS)
- Organic Materials (OM)
- Inorganic Materials (IM)
- Black & White (B/W)
- Inverse Colors (IN)
- High Penetration (HP)
- Variable Edge Enhancement (+E -E)
- Variable Density (+D -D)
- Variable Gamma (+G -G)
- Variable Color Separation (+C -C)
- Zoom (64x)
- Sniper Zoom
- Recall Previous Images
- Manual/Automatic Archive
- Annotated Archive
- Multi Energy Viewer (4 - 6 Color)
- Atomic Number Display (Z Value)

OPTIONAL FEATURES

- Barcode Reader System
- External Camera Archiving
- Remote Viewing Station
- Recheck Station
- Network Supervisory System (NSS)
- Remote Access Connection
- Smart Card Login



The keyboard can be produced optionally as integrated into the device.